

Dumfries and Galloway Council

**LOCAL DEVELOPMENT PLAN 2**

# **Technical Details for Windows and Doors - Information required**

*Technical Note - November 2019*

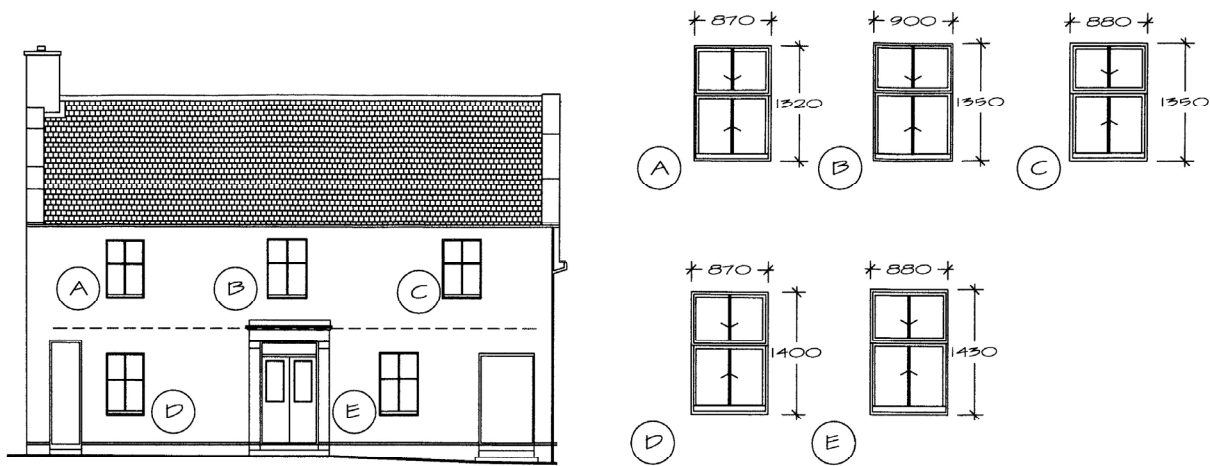


Windows are an important visual component of a building. Accordingly, it is essential to convey visually the intended changes, in context and in detail.

Shown below is an illustration of the window details sought by the planning authority when making decisions on applications for development within the conservation area and listed buildings.

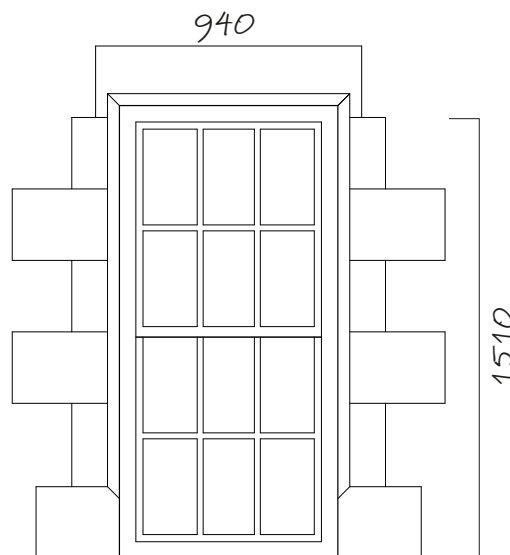
### ELEVATIONS

All elevations of the development should be provided to a scale of 1:50 or 1:100 and include the measurements on the drawings. If several replacement windows are proposed, the elevational drawing should be labelled with numbers which can be cross referenced with the specific window details.



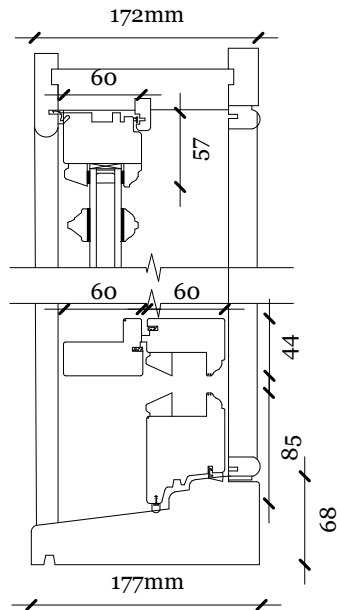
### FRONT PROFILES OF EACH WINDOW

Front profiles of each type of window should be provided. Typical window styles will not be acceptable. They should be to a metric scale of 1:10 or 1:20 and the measurements should be written on the drawings.



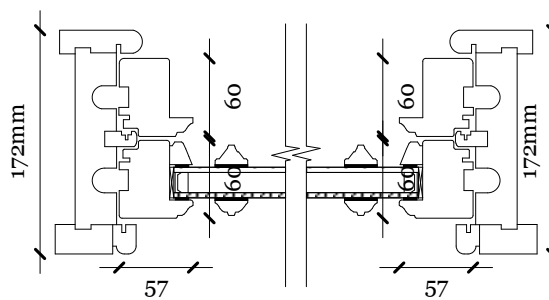
### VERTICAL SECTION OF EACH WINDOW

A vertical cross section of each type of window should be provided. Typical window styles will not be acceptable. They should be of a metric scale measuring 1:5 or 1:10 and the measurements should be written on the drawings.



### HORIZONTAL SECTION OF EACH WINDOW

A horizontal cross section of each type of window should be provided. Typical window styles will not be acceptable. They should be of a metric scale measuring 1:5 or 1:10 and the measurements should be written on the drawings.



Details of the astragals, trickle vents and method of opening should be detailed on the drawings or alternatively provided on a separate drawing.

### DOORS AND ROOFLIGHTS

Details of all proposed doors and rooflights should also be provided with the application. They should be of a metric scale measuring 1:5 or 1:10 and the measurements should be written on the drawings.